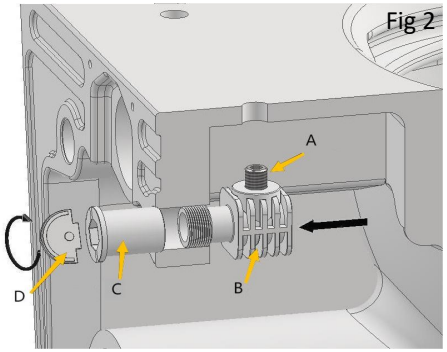
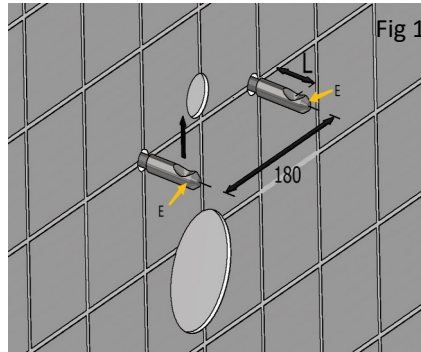
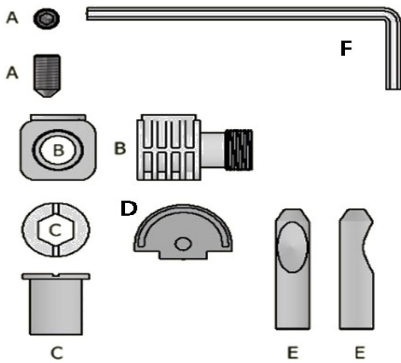


Wall Hung Pan/Urinal Connection Fitting Installation Instruction



Check all contents of the fixing pack before installation, Balmorals London will not be held responsible for any costs incurred due to faulty product being fitted.

All installations of Balmorals London product should be installed by a qualified plumber or fitter.

Balmorals London will not accept any responsibility for any problems due to incorrect installation

Frame fixing bolts must be adjusted for the center-to-center measurement as shown in Fig 1

Cut the frame threaded studs to the correct length.

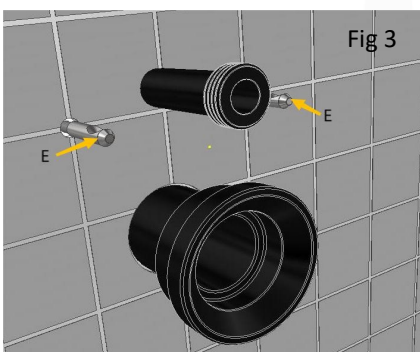
Screw cylinders (Part E) into position making sure the recessed section is pointing upwards.

Screw the pan fixing screw (part A) into (Part B) a few turns only.

Place (part B) to the back of the fixing hole in the pan.

Insert (part C) into the front of the pan fixing hole. Tighten (part C) into (part B) ensuring the cylinder fixing screw (part A) is pointing upwards.

Fully tighten (part C) into (part B) of the fixing using the key provided (part D)



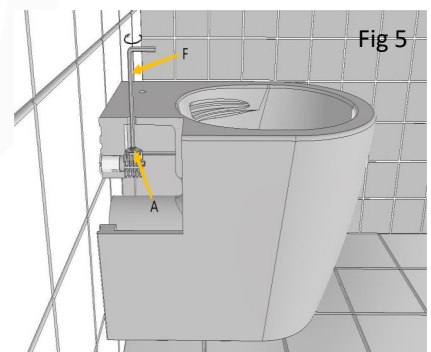
Cut the inlet flush pipe and outlet pan connector to the correct length.



Place the pan on to the cylinders (part E) as per Fig 4

Then push to the wall making sure to correctly engage each connector.

Applying a suitable lubricant before final fitting will help with this



Fully tighten the fixing screws (part A) from above using the Allen key (part F) whilst making sure the pan is flush to the wall.