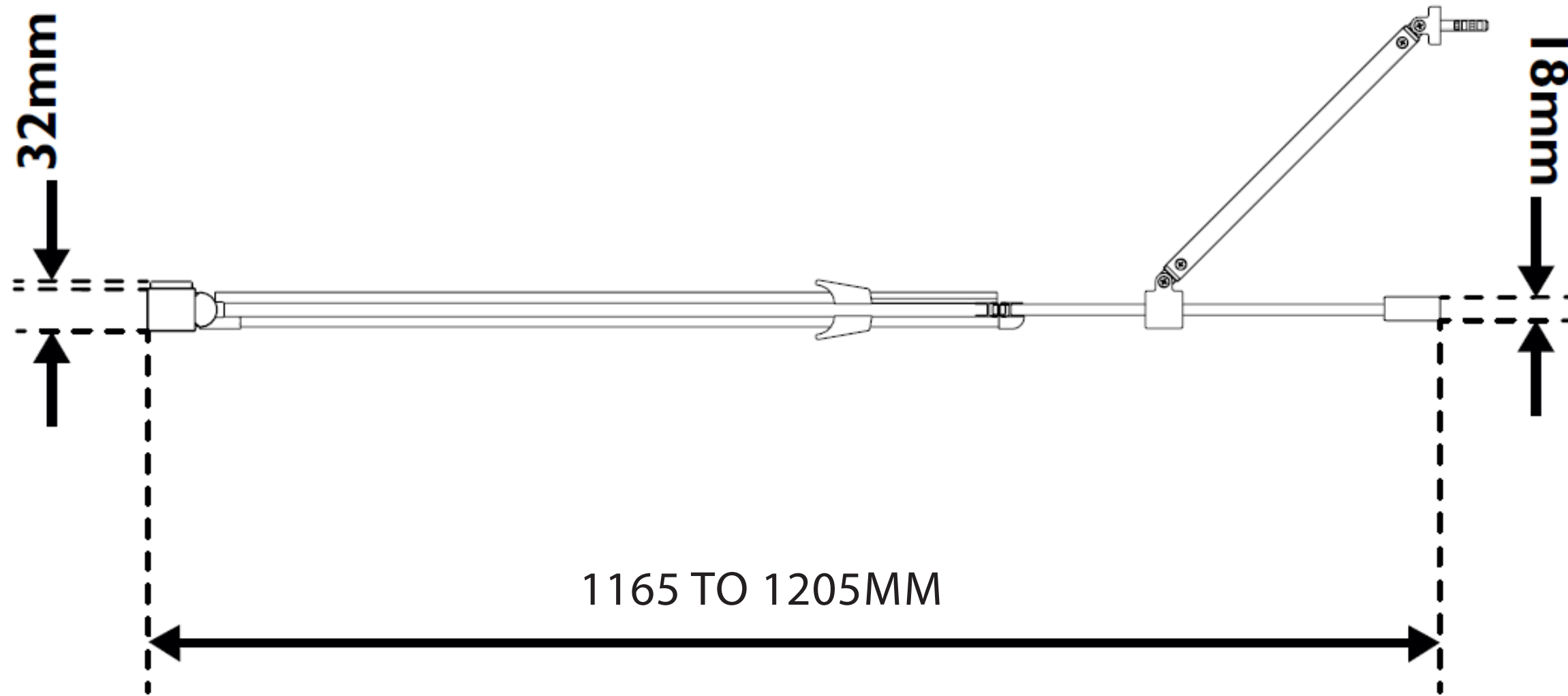


32mm + 5mm (screw cap)



1165 TO 1205MM

18mm

ENCLOSURE HEIGHT = 2000MM