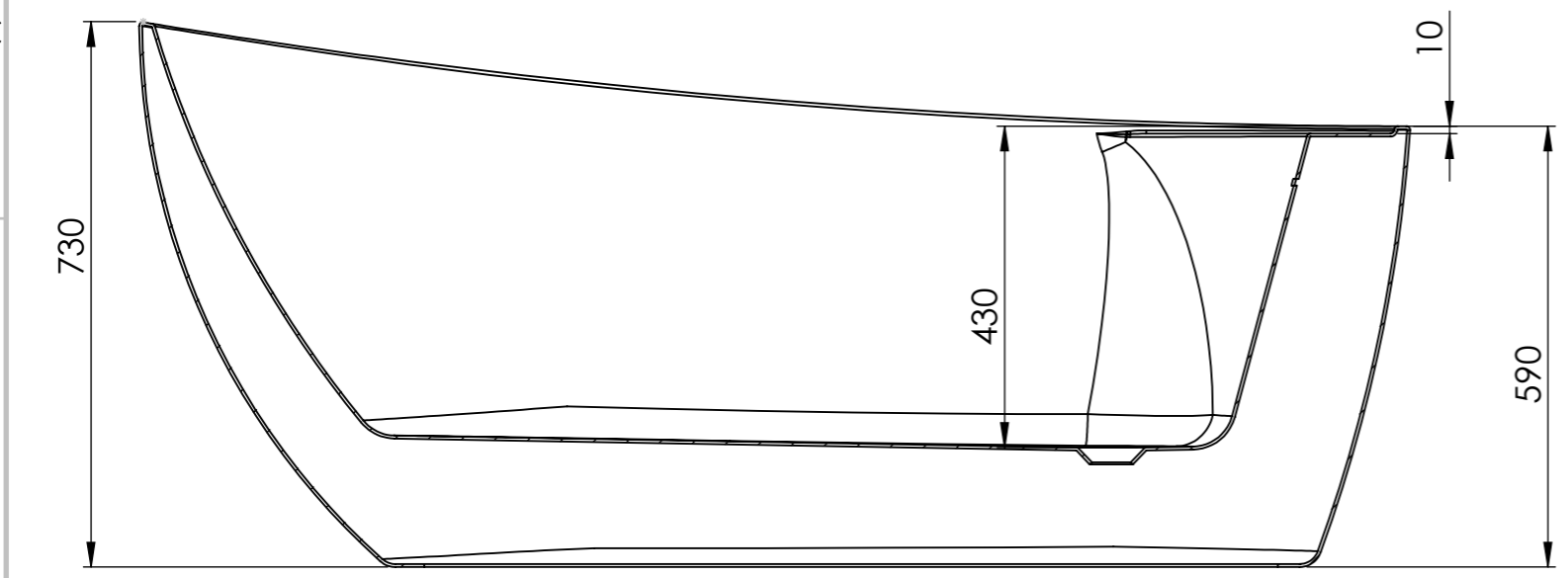


SECTION B-B
SCALE 1 : 10



SECTION A-A
SCALE 1 : 10



NAME	Date	DATE :	Mold No.	Product :
DRAWN by Bakr Samir	22/07/2025	22/07/2025	SA 0000	Slipper with tap deck 170X75
CHK'd by 1		Type: FST Bathtub	Client :	
CHK'd by 2		Notes :	TD Code :	Material:
			0000 220725 00 BS	Acrylic
				Dim. in : MM
				Sheet Size : A3